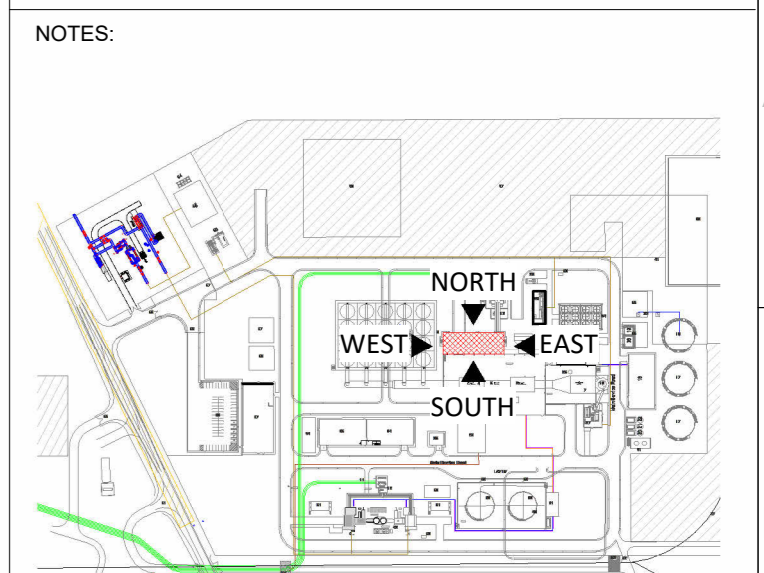
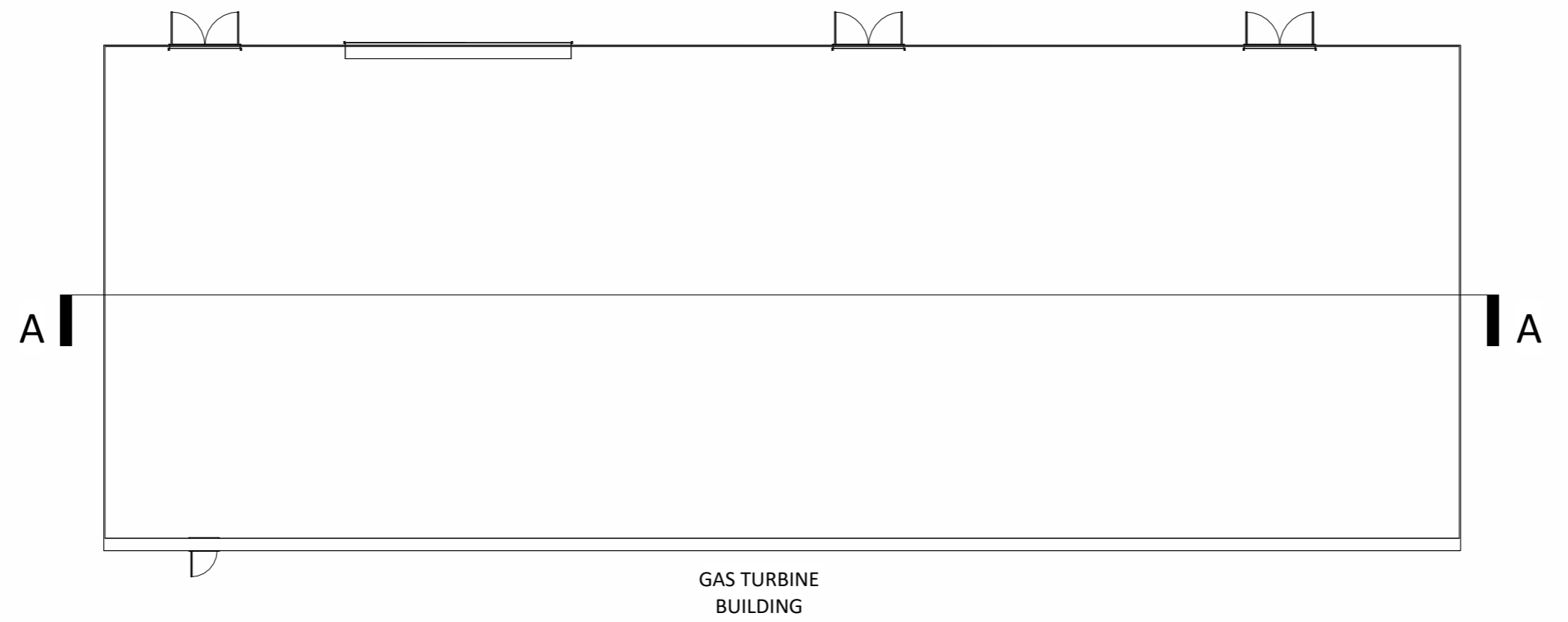


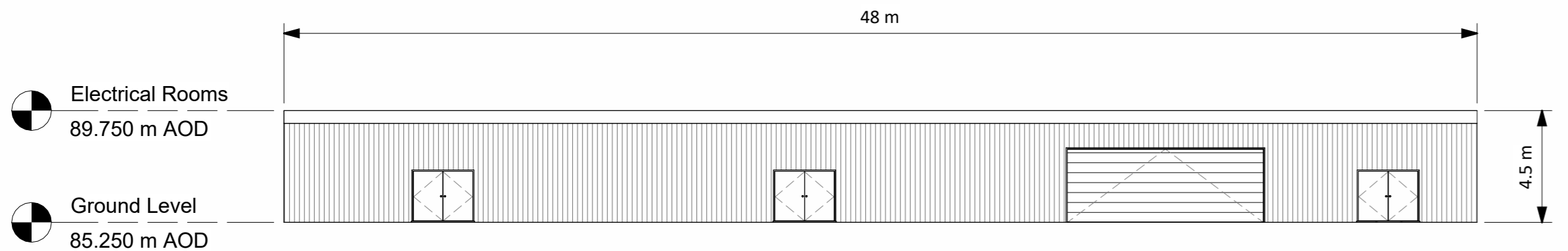
GROUND LEVEL  
85.250 m AOD



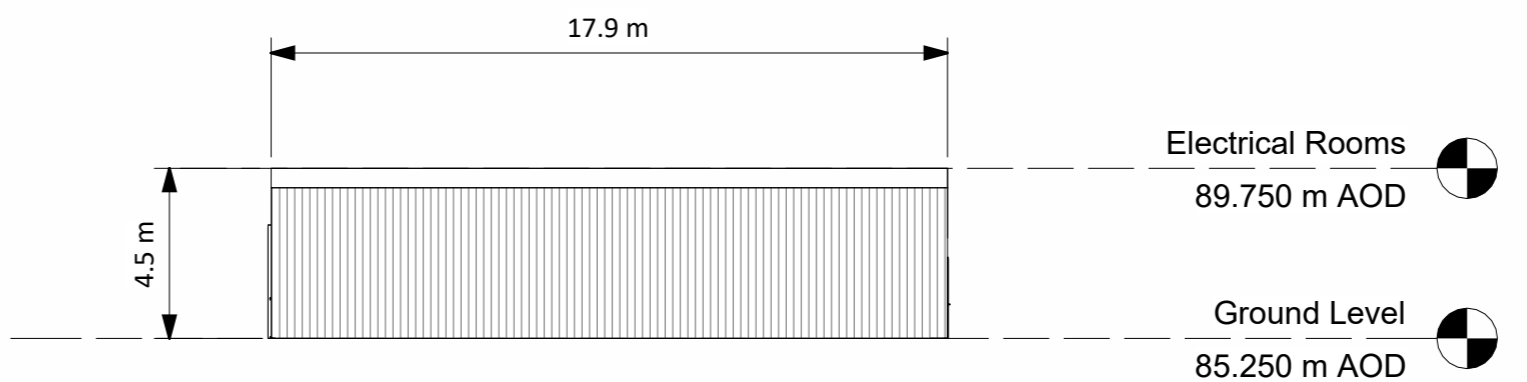
**Key Plan**  
1 : 6000

- NOTES:
- Building colours will range within a muted mid-dark grey and green spectrum. Refer to EIAR Vol. II, Appendix 10A for detail
  - Final detail of building finishes to be agreed with planning authority in advance of development commencing

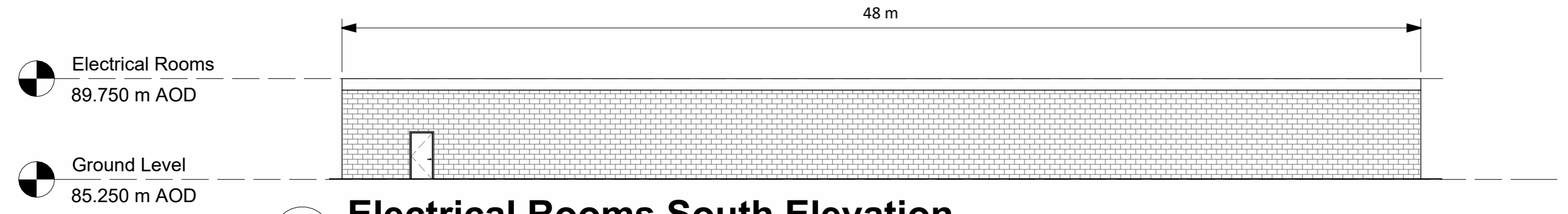
**1 Electrical Rooms Floor Plan 85.250m AOD**  
1 : 200



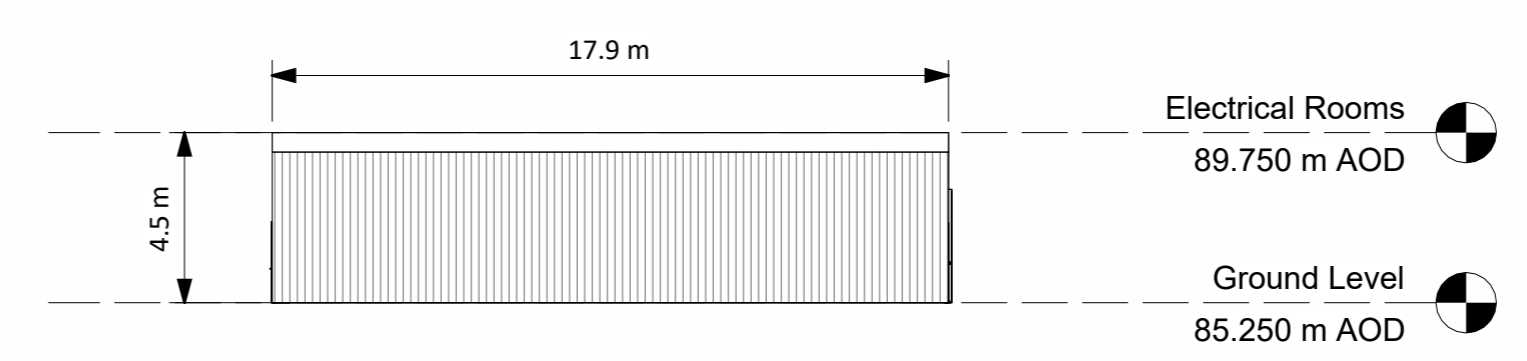
**2 Electrical Rooms North Elevation**  
1 : 200



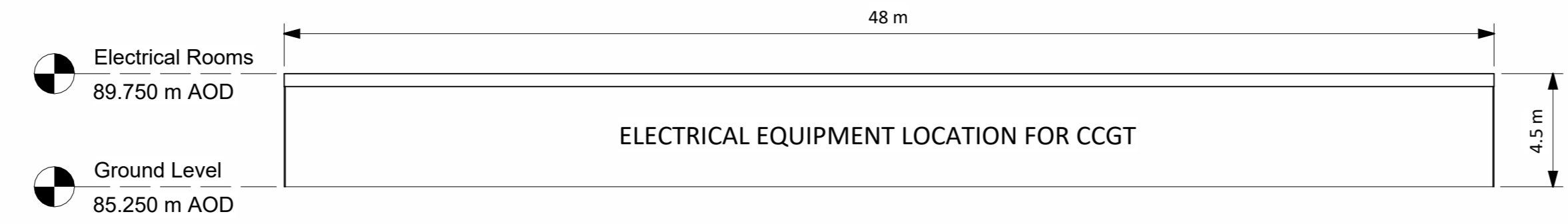
**4 Electrical Rooms West Elevation**  
1 : 200



**3 Electrical Rooms South Elevation**  
1 : 200



**5 Electrical Rooms East Elevation**  
1 : 200



**6 Electrical Rooms Section A-A**  
1 : 200

R1.0	FOR PLANNING	DTW	AO1	BAB	26.01.24
REV.	DETAILS OF REVISION	DRAWN	CHKD	APR	DATE

**FICTNER**  
CONSULTING ENGINEERS LIMITED  
7 Sir John Rogerson's Quay, Block C,  
Grand Canal Docklands,  
Dublin 2, D02 VK60  
Tel: +353 (1) 506 0632  
Website: www.fichtner.ie

CLIENT: **Bord na Móna Powergen Limited**  
SITE:  
PROJECT: **Derrygreenagh Power**  
TITLE: **ELECTRICAL ROOMS  
PLAN ELEVATIONS & SECTION**

DRAWING STATUS:	For Planning
DRAWN BY:	DTW
CHECKED BY:	AO1
APPROVED BY:	BAB
FILENAME:	
OFFICE OF ISSUE:	DUBLIN
SHEET SIZE:	A1
DRAWING No.:	S7060-8050-0032



REVISION: **R1.0**  
Sheet 01